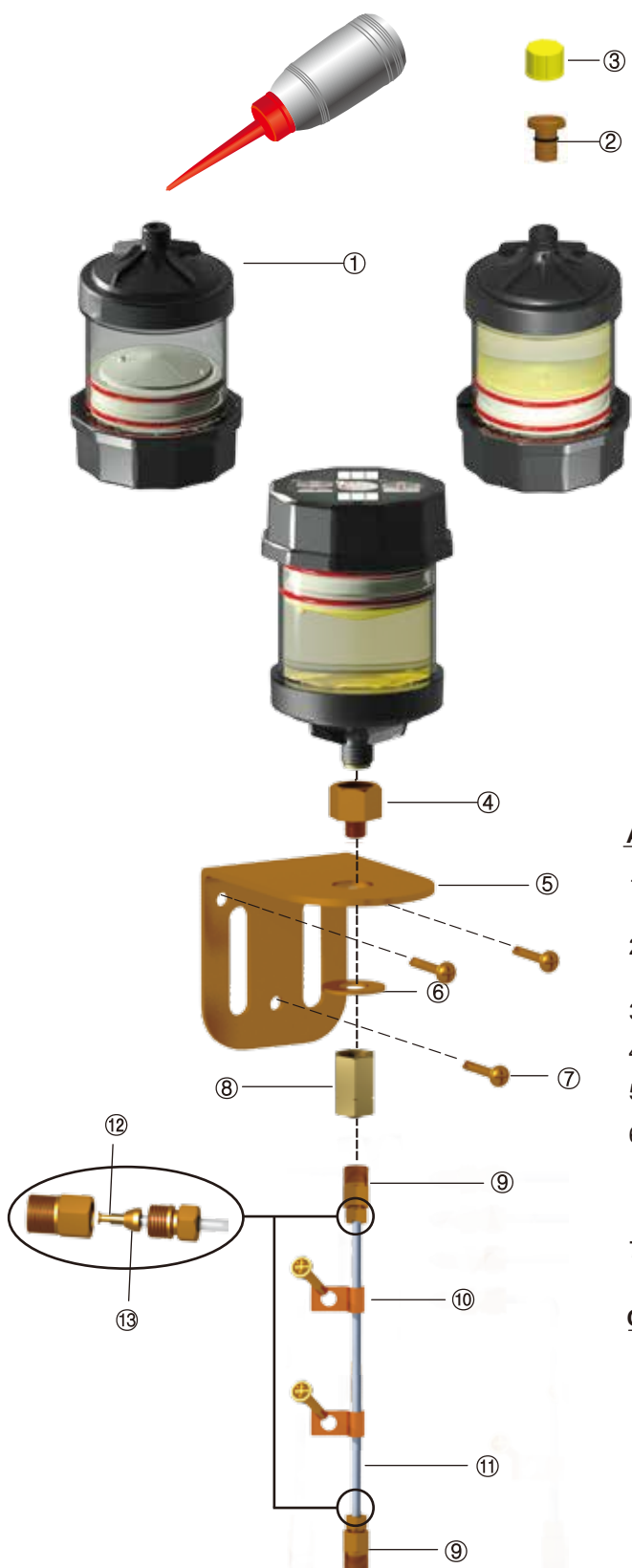


DETAILED PARTS AND ASSEMBLY PROCEDURE



LIST	PART No.	DESCRIPTION	Q'TY
①	EO	Pulsarlube EO	N/A
②	NRV	Non Return Valve	1
③	BO72	Protector	1
④	A005	PT1/4" F x PT1/8"M Adapter	1
⑤	B002	Mounting Bracket	1
⑥	B057	Steel Washer	1
⑦	B051	Self Drilling Screws	5
⑧	A012	PT1/8"F x 1/8"F Socket	1
⑨	C007	Ø4-PT1/8"M Fitting Connector	2
⑩	C010	Ø4 x 1R Tube Clamp	2
⑪	C021-1	Ø4-I.D. 2.5 Nylon Tubing (10ft)	1
⑫	C011	Ø4 x Ø2.5 Insert	2
⑬	C009	Sleeve Ring Ø4	2

Oil brush and bracket assembly is available (sold separately).

ASSEMBLY PROCEDURE

1. Install the mounting bracket (⑤) at a proper location using screws (⑦) to allow for easy installation of the Pulsarlube EO.
2. Turn the lubricator upside down and fill with oil using a proper device. Avoid spilling oil on the outside of the lubricator.
3. Assemble the non return valve (②) to lubricator tip.
4. Install unit vertically using the washer (⑥) and socket (⑧).
5. Connect a fitting connector (⑧) to the socket (⑦).
6. Connect each end of the tubing to a fitting connector (⑨). Assemble the insert (⑫) and sleeve ring (⑬) in order, as shown in the circled image on the left. (If an oil brush and bracket assembly is to be used, connect brush to a fitting connector (⑨) at the end of lube line using an appropriate socket.)
7. Use the tube clamps (⑩) and screws (⑦) to affix the tubing (⑪) to a wall.

COMMENTS

- Apply PTFE tape on all assembly points to prevent leakage.
- Please check for compatibility between oil being used and plastic that lubricator is made of.
 - Synthetic Hydrocarbons, PAO: Compatible
 - Silicones (All Types): Compatible
 - Fluorinated Esters: Compatible
 - Esters & Polyglycols: May cause a problem
- Output volume may vary depending on oil viscosity, length of lube line, ambient temperature, etc.

Note : All parts above are Metric thread.