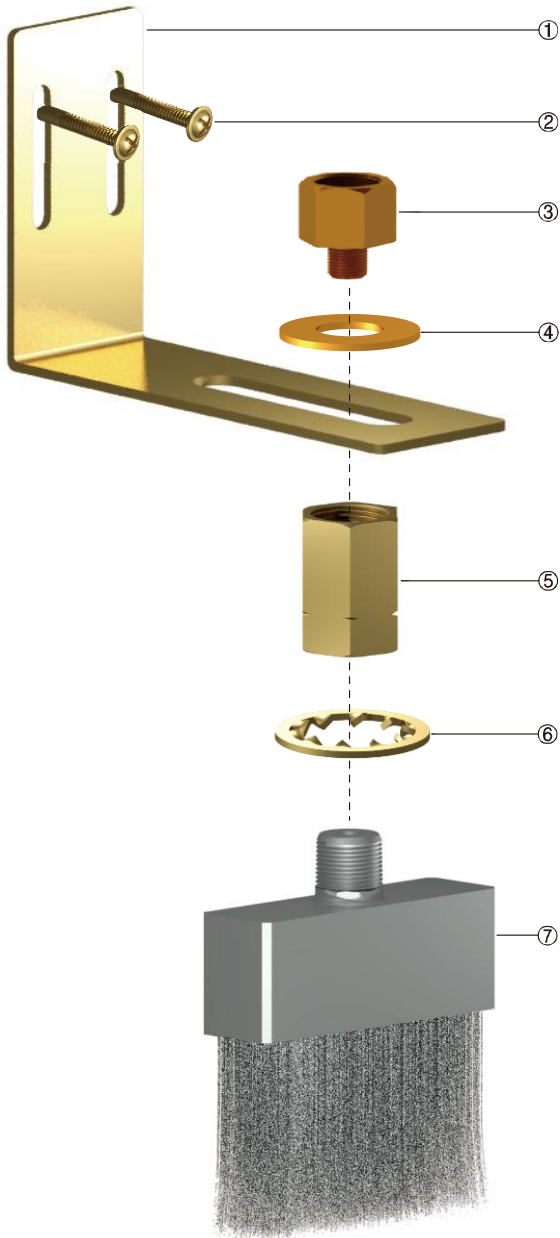


DETAILED PARTS AND ASSEMBLY PROCEDURE



No.	Part No.	Description	Q'TY
①	B003	Oil Brush Bracket	1
②	B051	Self Drilling Screws	2
③	A002	PT 3/8"F x PT 1/8"M Adapter	1
④	B057	Steel Washer	1
⑤	C012	PT 1/8"F x NPT 1/8"F Socket	1
⑥	B058	Tooth Washer	1
⑦	C013	2"Stainless Steel Flat Brush (1/8" NPT)	1

ASSEMBLY PROCEDURE

1. Install the mounting bracket (1) in an appropriate location using the screws (2).
2. Fasten the adapter (3), washer (4), socket (5), tooth washer (6), and brush (7) in the desired position along the slot of the bracket. Make sure the socket is assembled as pictured. The line around the socket should be facing downward as that end will connect to the NPT thread of the brush. The other end of the socket is PT.

COMMENTS

- If using a remote installation kit, connect the fitting (C007), provided in the 1250RO series kits, directly to the socket (5).
- Apply PTFE Tape around the thread of the brush (7).
- Output volume may vary depending on oil viscosity, ambient temperature, etc.